

RICKARD ELECTRONIC WALL THERMOSTATS



TECHNICAL DATA

Model Number	Description	Input Power	Mount Type	Protection Class
RICK-MLMWS2	Wall Thermostat	12V		
RICK-MLMWS-CO2	Wall Thermostat with CO ₂ sensor	from control unit	Wall	IP20
RICK-MLMWS-OS	Wall Thermostat with occupancy sensor	from control unit		

DESCRIPTION

The slimline wall mounted thermostat is also a master controller which enables the occupant to control the temperature of an allocated space. Typically, the set temperature is displayed and the occupant can select a temperature within a preset range, such as between 20°C and 24°C.

Features

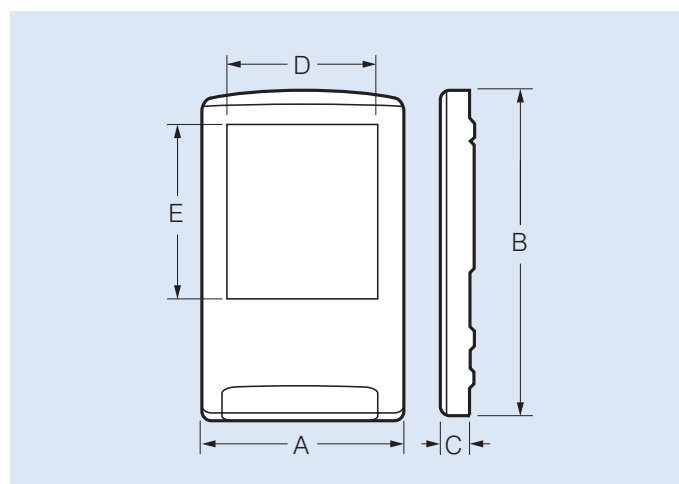
- Larger digital screen for easier reading.
- Accurate room temperature setting and sensing.
- Convert any Slave diffuser into a Master so that it can control a zone of up to 15 diffusers.
- Compatible with MLM and MLC systems.
- Can be used to access and adjust advanced commissioning settings.

Wiring Diagram

12V from control unit

Please refer enquiries to Fantech sales engineers.

DIMENSIONS



Model Number	Dimensions, mm				
	A	B	C	D	E
RICK-MLMWS2					
RICK-MLMWSOC2	80	130	14	60	70
RICK-MLMWS-OS					

WALL THERMOSTAT WITH CO₂ SENSOR

- Designed to give accurate room temperature sensing while controlling CO₂ levels.
- When the CO₂ value rises above the threshold, the diffuser opens fully until the normal CO₂ value is reached.
- More cost effective than installing a standalone 3rd party CO₂ monitoring device.
- When connected to a BMS, the CO₂ level can be monitored



WALL THERMOSTAT WITH OCCUPANCY SENSOR

- Designed to give accurate room temperature sensing as well as integrated occupancy sensing.
- Useful for low occupancy usage rooms where energy can be saved.
- Backs off the supply of air to that room when unoccupied.
- When connected to a BMS, it can also automatically turn the room lights off and on.

